

Cameralink Cameras

High Resolution



Key Features

- High resolution CCD cameralink camera
- Standard cameralink interface
- Trigger input range : +2.5V~5V(TTL), +3.3V~24V(Photo coupler)
- PoCL and CL Supported

Pin map

SC-D500x

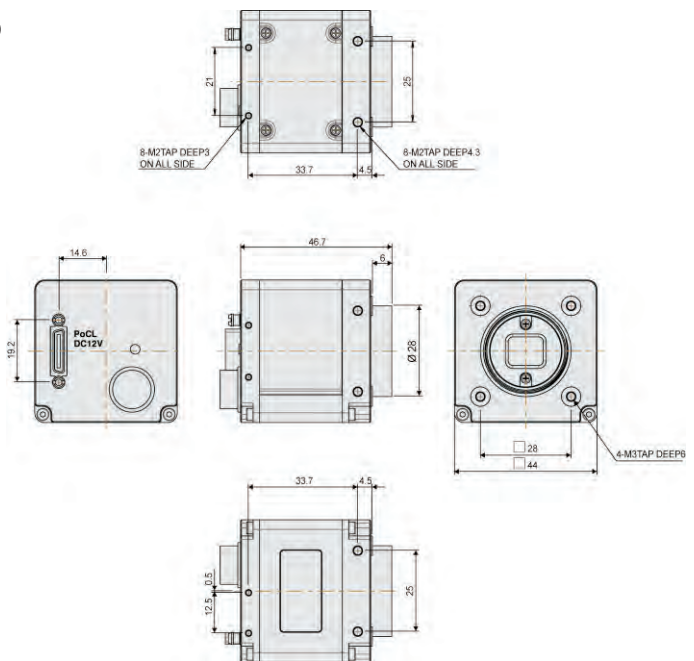
| Pin No. | Name | IN/OUT | Reference |
|---------|---------------|-----------|-----------------|
| 1 | GND_IN | Power GND | Power GND |
| 2 | VCC | IN | DC +12 |
| 3 | GND | GND | IO_GND |
| 4 | NC | - | - |
| 5 | GND | GND | IO_GND |
| 6 | FLASH | OUT | Isolated Output |
| 7 | GPIO2 | IN/OUT | TTL |
| 8 | GND | GND | IO_GND |
| 9 | TRG&FLASH_GND | GND | IO_GND |
| 10 | GPIO1 | IN/OUT | TTL |
| 11 | TRIGGER | IN | Isolated Input |
| 12 | GND | GND | IO_GND |



HV-x550C

| Pin No. | Name | IN/OUT | Reference |
|---------|------------|--------|----------------|
| 1 | GND | IN | |
| 2 | Power | IN | DC +12V |
| 3 | GND | GND1 | |
| 4 | GPIO_IN- | GND2 | |
| 5 | GND | GND3 | |
| 6 | GPIO_OUT2+ | OUT | Open Collector |
| 7 | GPIO_IN1+ | IN | |
| 8 | GND | GND4 | |
| 9 | GPIO_OUT- | GND5 | |
| 10 | GPIO_OUT1+ | OUT | +5V |
| 11 | GPIO_IN2+ | IN | Isolation(50V) |
| 12 | GND | IN | |

Dimension (Unit : mm)



Download (File name)

ex) SDK download:

CREVIS Site ▶ Search window ▶

CL-Installation Guide : [cameralink_manual.zip](#)

Camfile : [cameralink_camfile.zip](#)

CamguideCL : [camguideCL.zip](#)

Specification

| Model (Mono) | HV-B210C | HV-B550C | SC-D500B |
|------------------------------|---|---------------------------|---------------------------|
| (Color) | HV-C210C | HV-C550C | SC-D500C |
| Sensor size | 1/1.8" | 2/3" | 2/3" |
| Image Sensor | CCD | CCD | CCD |
| Resolution | 1600 x 1200 | 2456 x 2058 | 2456 x 2058 |
| Pixel size (μm) | 4.4 x 4.4 | 3.45 x 3.45 | 3.45 x 3.45 |
| Max Frame Rate | 20fps | 16fps | 16fps |
| AOI Modes | Vertical | Vertical | Vertical, Horizontal |
| Binning Modes | Vertical | | |
| Synchronization | Internal (Freerun) or External (CC 1, Circular or Software) | | |
| Trigger Modes | Timed, Trigger width | | |
| GPIO | Photocoupler input 1ch, Output 1ch, GPIO 2ch | | |
| Shutter | Global | | |
| Shutter Speed | 10 μs ~ 1/Acquisition Frame Rate | | |
| Pixel Data Formats | Mono8/10/12, Bayer8/10/12 | | |
| Gain | 0dB ~ 18dB | | |
| Gamma | LUT (12bit to 12bit) | | |
| Interface | Mini CameraLink™ PoCL Mini Cameralink™ | | |
| Lens Mount | C mount | | |
| CameraLink Pixel Freq. | 42MHz | 64MHz | 49.09MHz |
| S/N Ratio | 50 dB | 50 dB | 48 dB |
| Indicators | LED for power and trigger input, data output | | |
| Power Requirements | 12VDC \pm 10% (DC IN or PoLC) | | |
| Weight | <130g | <130g | <120g |
| Dimension | 44mm x 44mm x 41m (without mount) | | |
| Temperature | -0°C to 40°C (Operating) / -10°C to 50°C (with<20~80%RH) | | |
| Vibration Resistance | 98m/s ² (10G) | 98m/s ² (10G) | 98m/s ² (10G) |
| Shock Resistance | 490m/s ² (50G) | 490m/s ² (50G) | 490m/s ² (50G) |
| Power consumption | <3.96W | <4.4W | <2.8W |
| Conformity | CE, RoHS, WEEE | | |
| Warranty | 3 years | | |

Cameralink Cameras

2, 4, 5, 8Mega Pixel



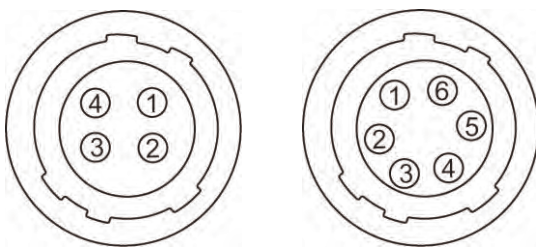
Key Features

- High resolution CCD/ CMOS Cameralink Camera (2, 4, 5, 8M)
- Higher frame rates with AOI
- Standard cameralink interface
- Trigger input range : +2.7V~3.3V(TTL), +2.0V~24V(Photo coupler)

Pin map

4pin Connector (2M, 4M, 5, 8M)

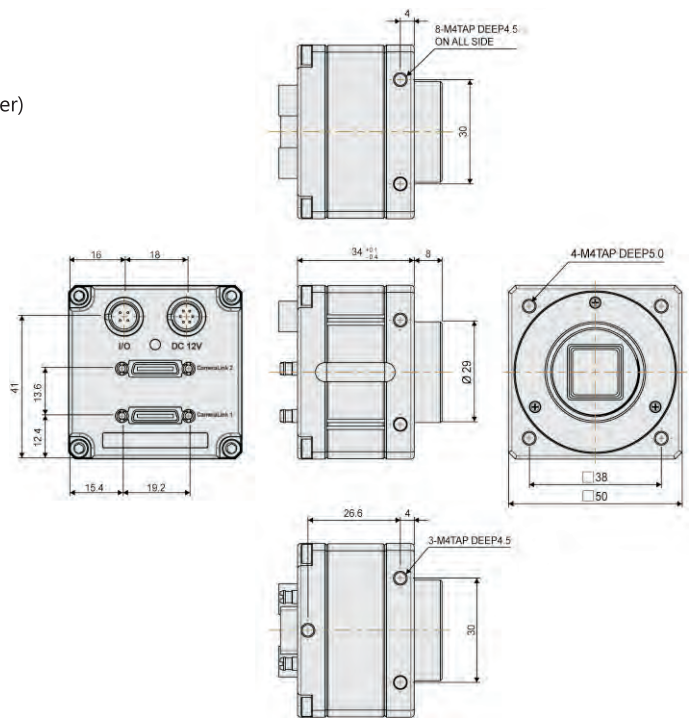
| Pin | Name | IN/OUT | Low | High | Reference |
|-----|----------|--------|-------------|------------|-----------|
| 1 | GPI_ISO+ | IN | 0V to +1.2V | +2.0V~+24V | |
| 2 | GPI_ISO- | IN | Ext.GND | | |
| 3 | GPI_ISO+ | OUT | 0V | Ext.VDD | |
| 4 | GPI_ISO- | OUT | Ext.GND | | |



6pin Connector (2M, 4M, 5, 8M)

| Pin | Name | IN/OUT | Low | High | Reference |
|-----|---------|--------|----------|-------------|-----------|
| 1 | +12V | IN | +12V | | |
| 2 | +12V | IN | +12V | | |
| 3 | GPI_TTL | IN | 0V~+0.7V | +2.7V~+3.3V | Trigger |
| 4 | GPO_TTL | OUT | 0V~+0.7V | +2.7V~+3.3V | Strobe |
| 5 | GND | IN | 0V | | |
| 6 | GND | IN | 0V | | |

Dimension (Unit : mm)



Download (File name)

ex) SDK download:

CREVIS Site ▶ Search window ▶

CL-Installation Guide : [cameralink_manual.zip](#)

Camfile : [cameralink_camfile.zip](#)

CamguideCL : [camguideCL.zip](#)

Cameralink Cameras

12, 25Mega Pixel



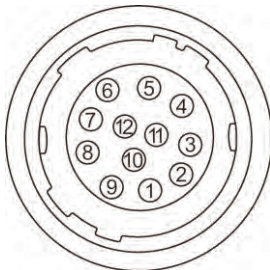
Key Features

- High resolution CMOS Cameralink Camera (12, 25M)
- Higher frame rates with AOI
- Standard cameralink interface
- Trigger input range : +2.5V~5V(TTL), +2.0V~12V(Photo coupler)

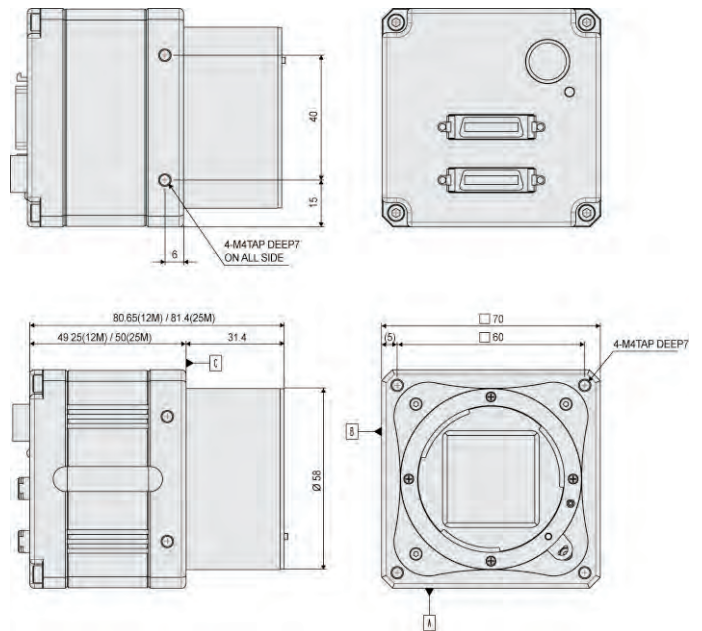
Pin map

12pin Connector (12M, 25M)

| Pin No. | Name | IN/OUT | LOW | High |
|---------|----------|--------|----------------|----------------|
| 1 | +12V | IN | +12V | |
| 2 | +12V | IN | +12V | |
| 3 | GND | IN | 0V | |
| 4 | GND | IN | 0V | |
| 5 | GPI_ISO+ | IN | 0V to +1.2V | +2.0V to +12V |
| 6 | GPO_ISO+ | OUT | 0V | Ext. VDD |
| 7 | GND | IN | Do not Connect | |
| 8 | GPI_TTL | IN | 0V to +0.7V | +2.5V to +5.0V |
| 9 | GPO_TTL | OUT | 0V | +5.0V |
| 10 | GND_TTL | OUT | 0V | |
| 11 | GPI_ISO- | - | Ext. GND | |
| 12 | GPO_ISO- | - | Ext. GND | |



Dimension (Unit : mm)



Download (File name)

ex) SDK download:

CREVIS Site ▶ Search window ▶

CL-Installation Guide : [cameralink_manual.zip](#)

Camfile : [cameralink_camfile.zip](#)

CamguideCL : [camguideCL.zip](#)

Specification

| Model (Mono) | MV-MV30C | HV-M250C | HV-M400C |
|------------------------------|---|--|---|
| (Color) | MV-KV30C | HV-K250C | HV-K400C |
| Sensor size | 1/3" | 2/3" | 1" |
| Image Sensor | CMOS | CMOS | CMOS |
| Resolution | 644 x 484 | 2048 x 1088 | 2048 x 2048 |
| Pixel size (μm) | 7.4 x 7.4 | 5.5 x 5.5 | 5.5 x 5.5 |
| Max Frame Rate | 2,3Tap : 475fps Supported 1,2,3Tap | 10Tap : 340fps Supported 2,3,4,8,10Tap | 10Tap : 180fps Supported 2,3,4,8,10Tap |
| AOI Modes | Vertical, Horizontal | | |
| Synchronization | Internal (Freerun) or External (CC 1, Circular or Software) | | |
| Trigger Modes | Timed, Trigger width | | |
| GPIO | TTL input 1ch, TTL output 1ch | PhotoCoupler Input 1ch, Output 1ch, GPIO 2ch | |
| Shutter | Global | | |
| Shutter Speed | 10 μs ~ 1/Acquisition Frame Rate | | |
| Pixel Data Formats | Mono 8/10/12 Bayer 8/10/12 | Mono 8/10 Bayer 8/10 | |
| Gain | 0dB ~ 19dB | 0dB ~ 19dB | |
| Gamma | LUT (10bit to 10bit) | | |
| Interface | Mini CameraLink™ PoCL Mini Cameralink™ | | |
| Lens Mount | C mount | | |
| CameraLink Pixel Freq. | 1,2Tap : 84MHz 3Tap : Bayer 60MHz | 2,3,4,8Tap : 85MHz 10Tap : 80MHz | |
| S/N Ratio | 36dB | | |
| Weight | <44g | <142g | |
| Dimension | 29mm x 29mm x 29mm | 50mm x 50mm x 34mm | |
| Temperature | -0°C to 40°C (Operating) / -10°C to 50°C (Storage) | | |
| Vibration Resistance | IEC 60068-2-6;98m/s ² (10G) | | |
| Shock Resistance | IEC 60068-2-27;196m/s ² (20G) | | |
| Power consumption | <3W at 12VDC \pm 10% | <5.0W at 12VDC \pm 20% | <5.5W at 12VDC \pm 20% |
| Conformity | CE, RoHS, WEEE | | |
| Warranty | 3 years | | |

Specification

* will be released in February

| Model (Mono) | *HC-D500B | *HC-D800B | HV-M1230C | HV-M2535C |
|------------------------------|---|-------------------------------------|---|---------------------------------------|
| (Color) | *HC-D500C | *HC-D800C | HV-K1230C | HV-K2535C |
| Sensor size | 2/3" | 1" | APS-like | 32mm |
| Image Sensor | CCD | CCD | CMOS | CMOS |
| Resolution | 2456 x 2056 | 3320 x 2496 | 4096 x 3072 | 5120 x 5120 |
| Pixel size (μm) | 3.45 x 3.45 | 3.88 x 3.88 | 5.5 x 5.5 | 4.5 x 4.5 |
| Max Frame Rate | 30fps | 25fps | 10Tap : 63fps Supported 2,4,8,10Tap | 10Tap : 31.7fps Supported 8,10Tap |
| AOI Modes | Vertical, Horizontal | | | |
| Synchronization | Internal (Freerun) or External (CC 1, Circular or Software) | | | |
| Trigger Modes | Timed, Trigger width | | | |
| GPIO | PhotoCoupler Input 1ch, Output 1ch, TTL input 1ch, TTL output 1ch | | | |
| Shutter | Global | | | |
| Shutter Speed | 10 μs ~ 1/Acquisition Frame Rate | | | |
| Pixel Data Formats | Mono 8/10/12 Bayer8/10/12 | | | Mono 8/10 Bayer8/10 |
| Gain | 0dB ~ 18dB | | 0dB ~ 12dB | 0dB ~ 19dB |
| Gamma | LUT (12bit to 12bit) | | LUT (10bit to 10bit) | |
| Interface | Mini CameraLink™ PoCL Mini Cameralink™ | | Cameralink | |
| Lens Mount | C mount | | F mount | |
| CameraLink Pixel Freq. | 1,2Tap : 80MHz 3Tap : Bayer 55MHz | 2,3,4,8Tap : 85MHz 10Tap : 80MHz | 2,4,8Tap : 85MHz 10Tap : 80MHz | 8,10Tap : 85MHz |
| S/N Ratio | - | | 36dB | 40dB |
| Weight | <150g | | <350g | |
| Dimension | 50mm x 50mm x 34mm | | 70mm x 70mm x 44mm (Without mount) | |
| Temperature | -0°C to 40°C (Operating) / -10°C to 50°C (Storage) | | | |
| Vibration Resistance | IEC 60068-2-6;98m/s ² (10G) | | | |
| Shock Resistance | 490m/s ² (50G) | | IEC 60068-2-27;196 m/s ² (20G) | |
| Power consumption | TBD | TBD | <7W at 12VDC \pm 10% | <9W at 12VDC \pm 10% (color 10W) |
| Conformity | CE, RoHS, WEEE | | | |
| Warranty | 3 years | | | |