

# Cameralink Cameras

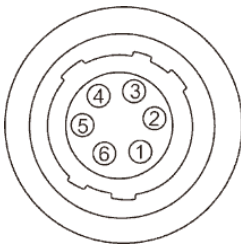


## Key Features

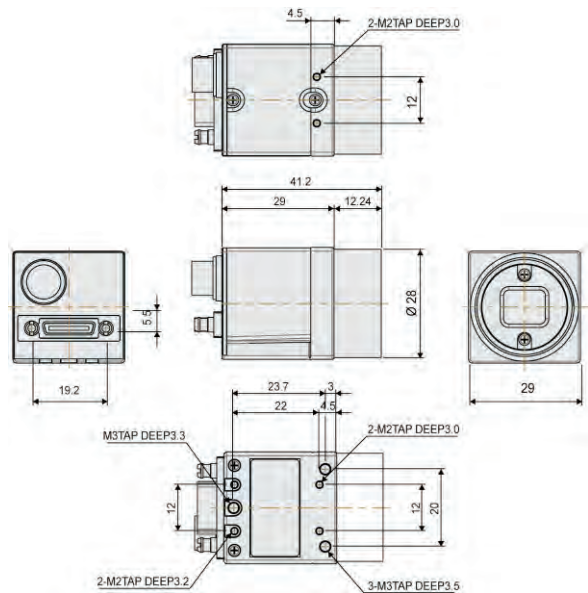
- Mini-size CCD CameraLink camera
- Standard cameralink interface
- Trigger input range : +2.5V ~+5V(TTL)
- PoCL and CL supported

## Pin map

Pin No.	Name	IN/OUT	Low	High
1	+12V	IN	+12V	+12V
2	Trigger	IN	0V to 0.7V	+2.5V to +5V
3	Flash	OUT	0V	+5V
4	GND_IO	OUT	0V	0V
5	+5V_IO	OUT	+5V	Max50mA
6	GND	IN	0V	



## Dimension (Unit : mm)



## Download (File name)

ex) SDK download:

CREVIS Site ▶ Search window ▶

CL-Installation Guide : [cameralink\\_manual.zip](#)

Camfile : [cameralink\\_camfile.zip](#)

CamguideCL : [camguideCL.zip](#)

## Specification

Model (Mono)	MC-D030B(-S)	MC-D130B	MC-D200B(-S)	MC-D210B	MC-D500B
(Color)	MC-D030C(-S)	MC-D130C	MC-D200C(-S)	MC-D210C	MC-D500C
Sensor size	1/3"	1/3"	1/1.8"	1/3"	2/3"
Image Sensor	CCD	CCD	CCD	CCD	CCD
Resolution	660 x 494	1320 x 976	1644 x 1236	1920 x 1080	2456 x 2058
Pixel size ( $\mu\text{m}$ )	7.4 x 7.4	3.75 x 3.75	4.4 x 4.4	2.8 x 2.8	3.45 x 3.45
Max Frame Rate	200fps (130fps)	40fps	50fps (25fps)	50fps	15fps
AOI Modes	Vertical, Horizontal				
Synchronization	Internal (Freerun) or External (CC 1 or Circular or Software)				
Trigger Modes	Timed, Trigger width				
GPIO	TTL GPIO 2ch				
Shutter	Global				
Shutter Speed	10 $\mu\text{s}$ ~ 1/Acquisition Frame Rate				
Pixel Data Formats	Mono8/10/12 Bayer8/10/12, RGB8				
CDS	13bit				
Gain	0dB ~ 18dB				
Gamma	LUT (12bit to 12bit)				
Interface	Mini CameraLink™ PoCL Mini Cameralink™				
Lens Mount	C mount				
CameraLink Pixel Freq.	40MHz (65)	45MHz	52MHz (60MHz)	54MHz	40MHz
Power Requirements	12VDC $\pm$ 10% (DC IN or PoCL)				
Weight	<50g				
Dimension	29mm x 29mm x 29mm				
Temperature	0°C ~ +40°C / -10°C ~ +50°C (with < 20~80% RH)				
Power consumption	<2.5W (1.8W)	<1.9W	<2.8W (2W)	<2.6W	<2.5W
Vibration Resistance	98m/s <sup>2</sup> (10G)				
Shock Resistance	490m/s <sup>2</sup> (50G)				
Conformity	CE, RoHS, WEEE				
Warranty	3 years				

## Specification

Model (Mono)	MV-BS30C	MV-BS20C	MV-BU10C
(Color)	MV-CS30C	MV-CS20C	MV-CU10C
Sensor size	1/3"	1/2"	1/1.8"
Image Sensor	CCD	CCD	CCD
Resolution	1296 x 966	1392 x 1040	1628 x 1236
Pixel size ( $\mu\text{m}$ )	3.75 x 3.75	4.65 x 4.65	4.4 x 4.4
Max Frame Rate	30fps	25fps	20fps
AOI Modes	Vertical, Horizontal		
Binning Modes	Vertical (Mono only)		
Synchronization	Internal (Freerun) or External (CC 1, Circular or Software)		
Trigger Modes	Timed, Trigger width		
GPIO	TTL input 1ch, TTL output 1ch		
Shutter	Global		
Shutter Speed	10 $\mu\text{s}$ ~ 1/Acquisition Frame Rate		
Pixel Data Formats	Mono8/10/12 Bayer8/10/12, RGB8		
Gain	0dB ~ 18dB		
Gamma	LUT (12bit to 12bit)		
Interface	Mini CameraLink™ PoCL Mini Cameralink™		
Lens Mount	C mount		
CameraLink Pixel Freq.	50MHz		
S/N Ratio	50dB		
Power Requirements	12VDC $\pm$ 10% (DC IN or PoLC)		
Weight	<50g		
Dimension	29mm x 29mm x 29mm		
Temperature	0°C to 40°C (Operating) / -10°C to 50°C (Storage)		
Vibration Resistance	98m/s <sup>2</sup> (10G)		
Shock Resistance	490m/s <sup>2</sup> (50G)		
Power consumption	<2.1W	<2.3W	<2.4W
Conformity	CE, RoHS		
Warranty	3 years		

Model (Mono)	MV-BV40C	MV-BV30C	MV-BV20C	MV-BX30C
(Color)	MV-CV40C	MV-CV30C		MV-CX30C
Sensor size	1/4"	1/3"	1/2"	1/3"
Image Sensor	CCD	CCD	CCD	CCD
Resolution	659 x 494	659 x 494	659 x 494	1034 x 779
Pixel size ( $\mu\text{m}$ )	5.6 x 5.6	7.4 x 7.4	9.9 x 9.9	4.65 x 4.65
Max Frame Rate	120fps	120fps	120fps	40fps
AOI Modes	Vertical, Horizontal			
Binning Modes	Vertical (Mono only)			
Synchronization	Internal (Freerun) or External (CC 1, Circular or Software)			
Trigger Modes	Timed, Trigger width			
GPIO	TTL input 1ch, TTL output 1ch			
Shutter	Global			
Shutter Speed	10 $\mu\text{s}$ ~ 1/Acquisition Frame Rate			
Pixel Data Formats	Mono8/10/12 Bayer8/10/12, RGB8			
Gain	0dB ~ 18dB			
Gamma	LUT (12bit to 12bit)			
Interface	Mini CameraLink™ PoCL Mini Cameralink™			
Lens Mount	C mount			
CameraLink Pixel Freq.	50MHz	50MHz	50MHz	40MHz
S/N Ratio	50dB			
Power Requirements	12VDC $\pm$ 10% (DC IN or PoLC)			
Weight	<50g			
Dimension	29mm x 29mm x 29mm			
Temperature	0°C to 40°C (Operating) / -10°C to 50°C(Storage)			
Vibration Resistance	98m/s <sup>2</sup> (10G)			
Shock Resistance	490m/s <sup>2</sup> (50G)			
Power consumption	<1.7W	<2.2W	<2.2W	<1.6W
Conformity	CE, RoHS			
Warranty	3 years			