

## Line Scan Cameras

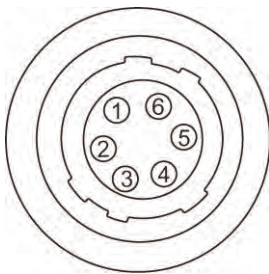


### Key Features

- 1, 4, 8K CCD Line scan camera
- Standard cameralink interface
- PRNU supported
- Regcon

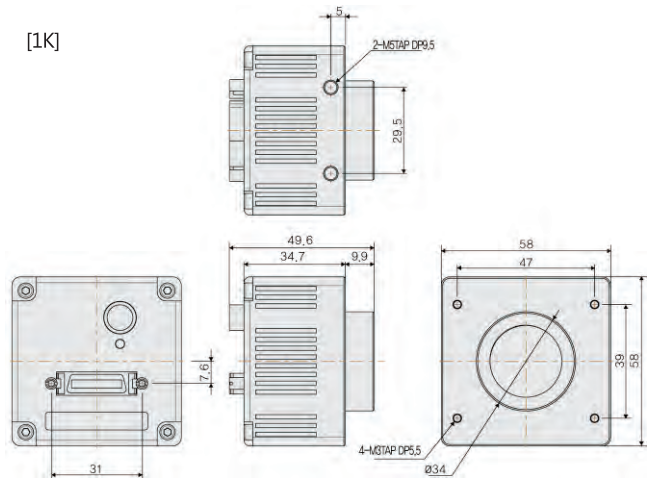
### Pin map

Pin No.	Signal	Remark
1	+12V	Connect
2	+12V	Connect
3	+12V	Option
4	GND	Option
5	GND	Connect
6	GND	Connect

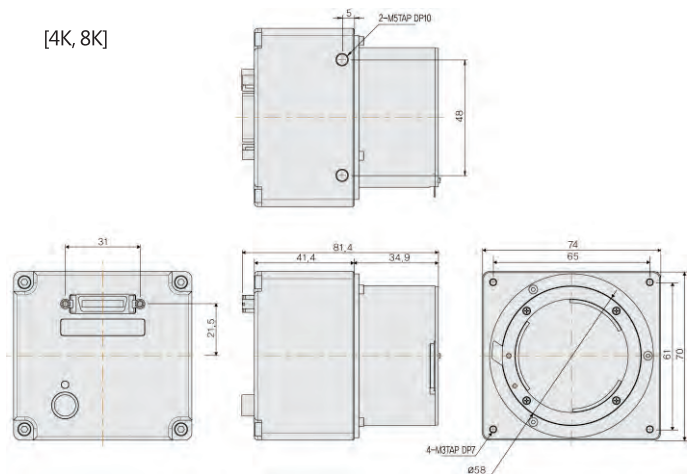


### Dimension (Unit : mm)

[1K]



[4K, 8K]



### Download (File name)

ex) SDK download:

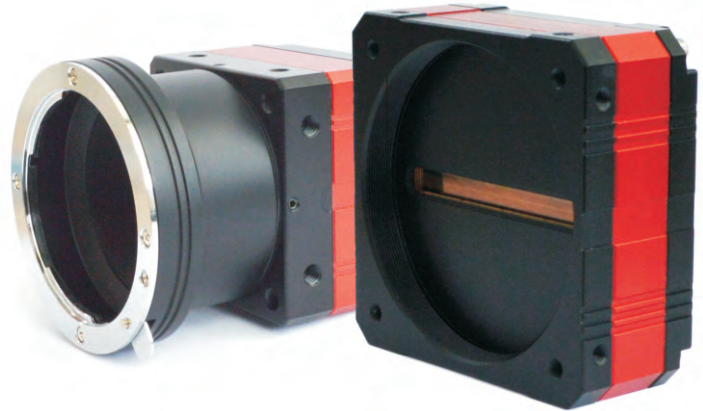
CREVIS Site ▶ Search window ▶

Regcon : [Linescan\\_Regcon.zip](#)

Camfile : [Linescan\\_Camfile.zip](#)

Model (Mono)	LV-B101CL	LV-B404CL	LV-B408CL
Pixel Number	1,024 pixels	4,080 pixels	8,160 pixels
Sensor size	Linear CCD		
Pixel size ( $\mu\text{m}$ )	14(H) x 14(V)	10(H) x 5(V)	5(H) x 5(V)
Pixel rates	40MHz	28.636MHz	57.27272MHz
Max Line Rate	Max. 36KHz	Max. 13.6KHz	
Video Output Type	CameraLink™		
Video Output Format	8bit Digital Outputs		
FPN	$\pm 2\%$ (Normal)		
Gain Range	Total range : 2~36dB, Control range : 12dB/0x170~260dB/0x2EE		
Gain Step	382 stages (refer to control S/W)		
Synchronization	External Trigger or Free run		
Exposure Control	Enabled		
Serial I/F	CameraLink/UART		
Lens Mount	C Mount	F Mount	
Housing(W x H x L)	58mm x 58mm x 44.6mm	74mm x 74mm x 76.4mm	
Power Source	15VDC $\pm 20\%$		
Power Consumption	<4.0W	<5.5W	
Temperature	0°C to 45°C		
Operating Humidity	Max. 80%	Max. 70%	
Weight	197 $\pm$ 10g	Approx. 440g	
Alignment Accuracy	d $\theta$ : $\leq \pm 0.2^\circ$ , dx/dy: $\leq \pm 0.3\text{mm}$		
Conformity	CE, RoHS		
Warranty	3 years		

# Line Scan Cameras



## Key Features

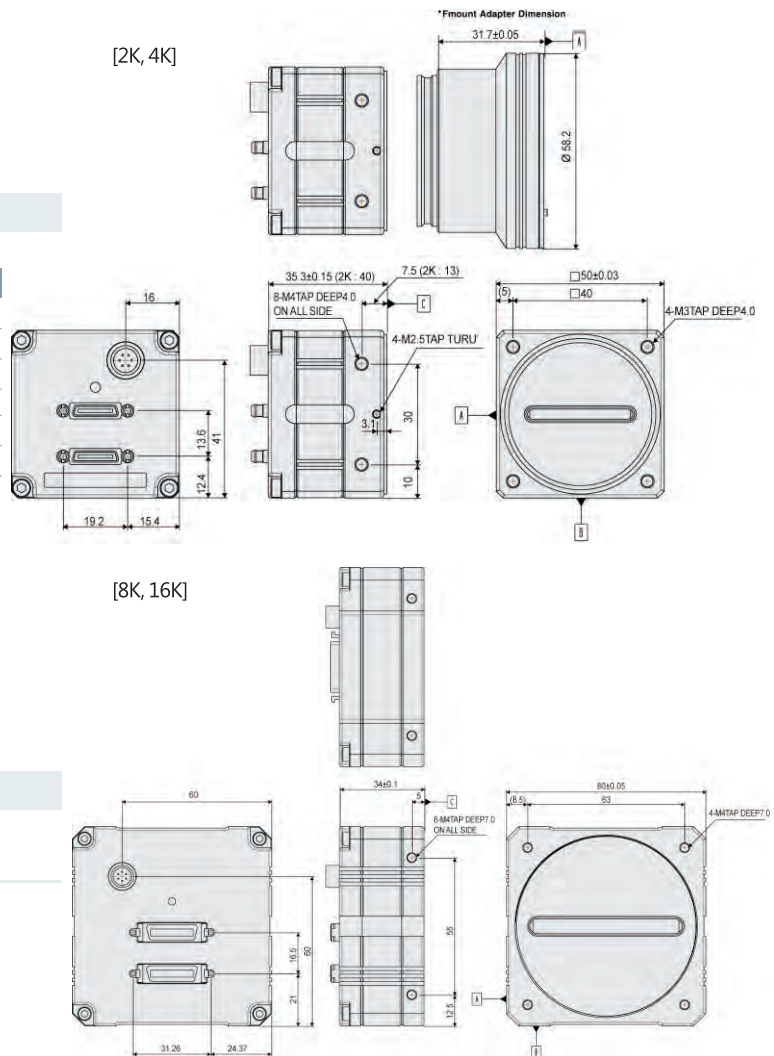
- 2, 4, 8, 16K CMOS Line scan camera
- High sensitivity & Speed
- Standard cameralink interface
- PRNU supported
- CamguideCL

## Pin map

Pin No.	Signal	Direction	Level	Function
1	+12V	Input	12VDC(±10%)	Camera Power
2	+12V	Input	12VDC(±10%)	Camera Power
3	DC	-	-	Not used
4	DC	-	-	Not used
5	DC GND	Input	Ground	DC ground
6	DC GND	Input	Ground	DC ground



## Dimension (Unit : mm)



## Download (File name)

ex) SDK download:

CREVIS Site ▶ Search window ▶

CamguideCL : [CamguideCL.zip](#)

Camfile : [Linescan\\_Camfile.zip](#)

## Specification

Model (Mono)	LV-M422C	LV-M824C	LV-M828C	LV-M8116C
Image Sensor	DR-2X2K-7-LCC	DR-2X4K-7	DR-2X8K-7	DR-16K-3.5
Pixel Number	2,048 x 2	4,096 x 2	8,192 x 2	16,384 x 1
Sensor size	Linear CMOS			
Pixel size ( $\mu\text{m}$ )	7 x 7	7 x 7	7 x 7	3.5 x 3.5
Max. Line rates	144KHz		76KHz	38KHz
Video Output Type	CameraLink™			
Pixel Clock	80MHz		85MHz	
Gain	0~19dB			
Lens Mount	C/F Mount	F Mount	M72 Mount	
Data Format	Base, 8/10/12 bit / Medium, 8/10/12 bit / Full, 8bit			
Gamma	LUT			
Digital I/F	CameraLink Base,Medium	CameraLink Medium, Full		
Power Requirement	12VDC, PoCL			
Connector	SDR x 2/6pin Circular (Power Only)		MDR x 2/6pin Circular (Power Only)	
Serial I/F	Cameralink/UART			
Temperature	0°C to 50°C			
Operating Humidity	Humidity 20% to 80% Non-Condensation			
Housing(W x H x L)	50mm x 50mm x 40mm	50mm x 50mm x 35.3mm	80mm x 80mm x 34mm	
Power Consumption	<2.8W	<5.3W	<6W	<5.8W
Weight	Approx. 188g	Approx. 200g	Approx. 271g	
Alignment Accuracy	$d\theta: < \pm 0.2^\circ$			
Conformity	CE, RoHS			
Warranty	3 years			