

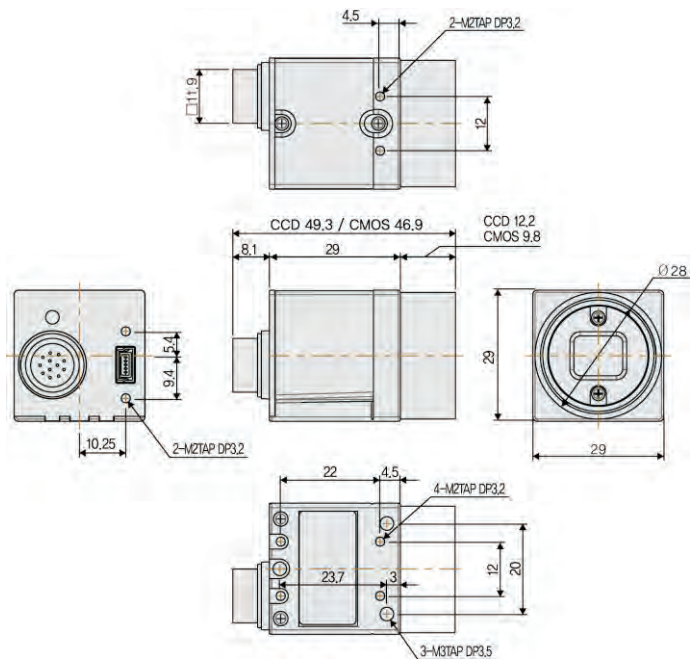
USB2.0, 3.0 Cameras



Key Features

- Mini-size CCD/ CMOS USB 2.0 Camera
- HALCON, Labview, Mil
- Camera Standard
- GenIcam
- Plug & Play
- Trigger input range : +5V~24V(Photo coupler)

Dimension (Unit : mm)



Pin map

12pin Connector

Pin No.	Name	IN/OUT	Remark
1	Strobe-	GND1	
2	Power	IN	USB Bus+5Vdc
3	GND	IN	
4	NC	-	
5	USB D-	IN/OUT	
6	USB D+	IN/OUT	
7	GND	IN	
8	Trigger+	IN	Isolation (50V)
9	Trigger-	GND2	
10	Strobe+	OUT	
11	GND	IN	Open Collector
12	GND	IN	



Download (File name)

ex) SDK download:

CREVIS Site ▶ Search window ▶

SDK : [MCamU_Basic.zip](#)

Model (Mono)	MV-BX30U	MV-BS30U	MV-BS20U	MV-BU10U
(Color)	MV-CX30U	MV-CS30U	MV-CS20U	MV-CU10U
Sensor size	1/3"	1/3"	1/2"	1/1.8"
Image Sensor	CCD	CCD	CCD	CCD
Resolution	1024 x 768	1280 x 960	1280 x 1024	1600 x 1200
Pixel size (μm)	4.65 x 4.65	3.75 x 3.75	4.65 x 4.65	4.4 x 4.4
Max Frame Rate	30fps	25fps	15fps	12fps
AOI Modes	Vertical			
Binning Modes(Mono only)	Vertical, Horizontal			
Synchronization	Freerun, Software Trigger, External Trigger			
Trigger Modes	Timed, Trigger width			
GPIO	Opto-isolated Trigger x 1, Opto-isolated Strobe x 1			
Shutter	Global			
Shutter Speed	10 μs ~1/Acquisition Frame Rate			
Pixel Data Formats	Mono8/10/12/14 Mono8, Bayer8, RGB8packed			
Gain	0dB ~ 26dB			
Gamma	1, 0.45, 0.7, LUT			
Exposure Control	Programmable via the camera API, External trigger signal			
Interface	USB 2.0			
Lens Mount	C mount			
Weight	<46g			
Dimension	29mm x 29mm x 29mm			
Temperature	-5 $^{\circ}\text{C}$ to 45 $^{\circ}\text{C}$ (Operating) / -20 $^{\circ}\text{C}$ to 60 $^{\circ}\text{C}$ (Storage)			
Vibration Resistance	98m/s ² (10G)			
Shock Resistance	490m/s ² (50G)			
Power consumption	1.6W	1.7W	1.9W	2.3W
Power Requirements	+5V Via USB Cable (Mini B or Circular 12pin)			
Conformity	CE, RoHS			
Warranty	3 years			

Specification

Model (Mono)	MV-BV30U	MV-BV20U	MV-BW35U
(Color)	MV-CV30U		MV-CW35U
Sensor size	1/3"	1/2"	1/3"
Image Sensor	CCD	CCD	CMOS
Resolution	640 x 480	640 x 480	752 x 480
Pixel size (μm)	7.4 x 7.4	9.9 x 9.9	6.0 x 6.0
Max Frame Rate	70fps	70fps	60fps
AOI Modes	Vertical		Vertical, Horizontal
Binning Modes(Mono only)	Vertical		
Synchronization	Freerun, Software Trigger, External Trigger		
Trigger Modes	Timed, Trigger width		Timed
GPIO	Opto-isolated Trigger x 1, Opto-isolated Strobe x 1		
Shutter	Global		
Shutter Speed	10 μs ~1/Acquisition Frame Rate		
Pixel Data Formats	Mono8/10/12/14 Mono8, Bayer8, RGB8packed	Mono8/10/12/14	Mono8/10 Mono8, RGB8packed, Bayer8
Gain	0dB ~ 26dB		0dB ~ 12dB
Gamma	1, 0.45, 0.7, LUT		
Exposure Control	Programmable via the camera API, External trigger signal		
Interface	USB 2.0		
Lens Mount	C mount		
Weight	<46g		
Dimension	29mm x 29mm x 29mm		
Temperature	-5 $^{\circ}\text{C}$ to 45 $^{\circ}\text{C}$ (Operating) / -20 $^{\circ}\text{C}$ to 60 $^{\circ}\text{C}$ (Storage)		
Vibration Resistance	98m/s ² (10G)		
Shock Resistance	490m/s ² (50G)		
Power consumption	1.7W	1.7W	0.8W
Power Requirements	+5V Via USB Cable (Mini B or Circular 12pin)		
Conformity	CE, RoHS		
Warranty	3 years		

* will be released in April

Model (Mono)	*MU-A030B	*MU-B500M
(Color)	*MU-A030C	*MU-B500K
Sensor size	1/3"	1/2.3"
Image Sensor	CCD	CMOS
Resolution (Mono)	658 x 492	2592 x 1944
(Color)	658 x 492	2592 x 1944
Pixel size (μm)	7.4 x 7.4	2.2 x 2.2
Max Frame Rate	120fps	14fps
Pixel Clock	48MHz	96MHz
Trigger Modes	Timed, Trigger width	Timed
Pixel Data Formats	Mono8/10/12/14 Bayer8	
Gamma	Support (12 or 14bit)	
CDS	14bit	12bit
Digital I/F	USB 3.0 Super Speed	
Connector	USB 3.0 Micro-B Port, 6-pin Connector	
Lens Mount	C mount	
Weight	<46g	
Dimension	29mm x 29mm x 29mm	
Operating Conditions	-5°C to 45°C (humidity 20% to 80%)	
Power consumption	TBD	2.2W
Conformity	CE, RoHS, WEEE	
Warranty	3 years	